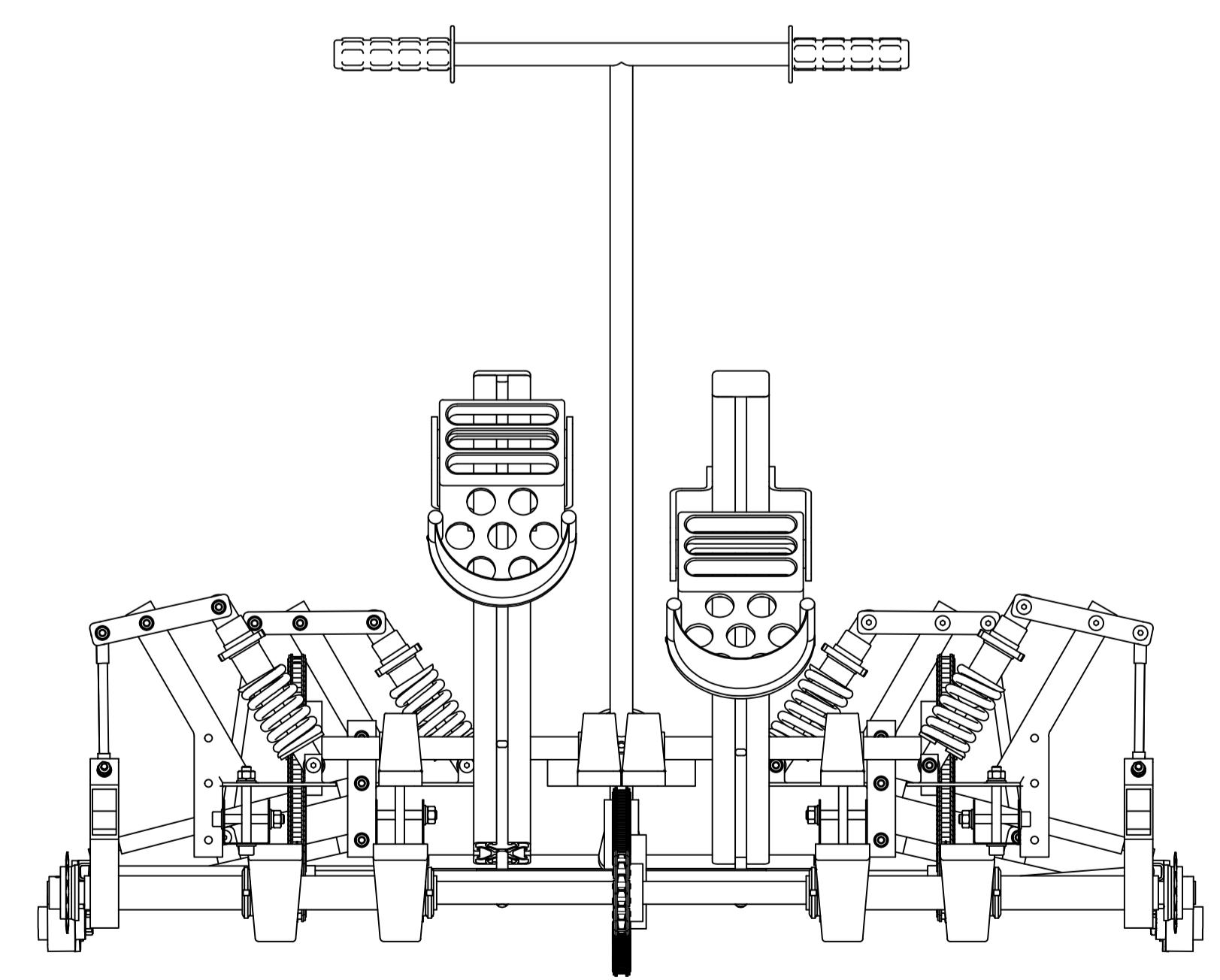
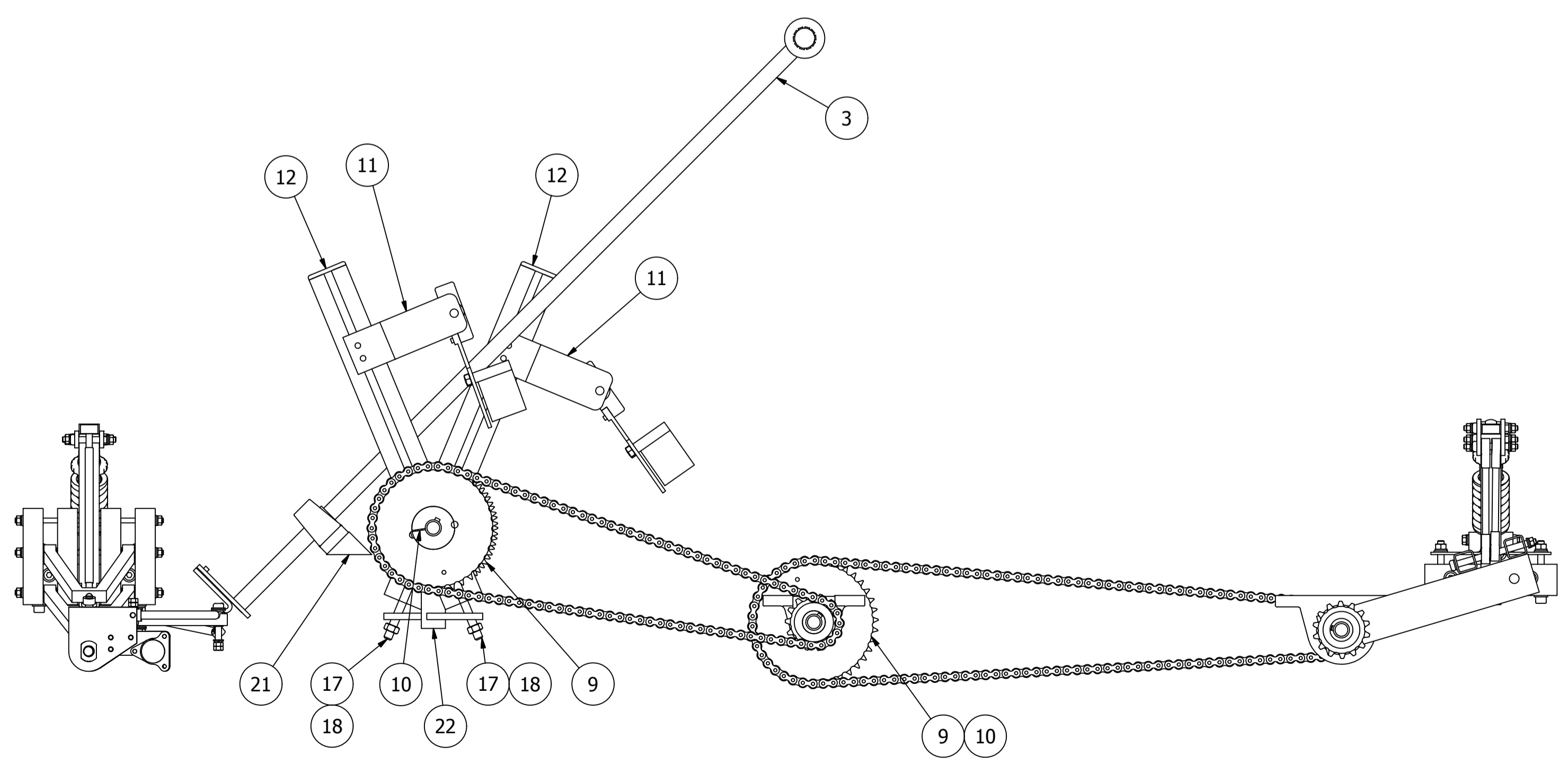
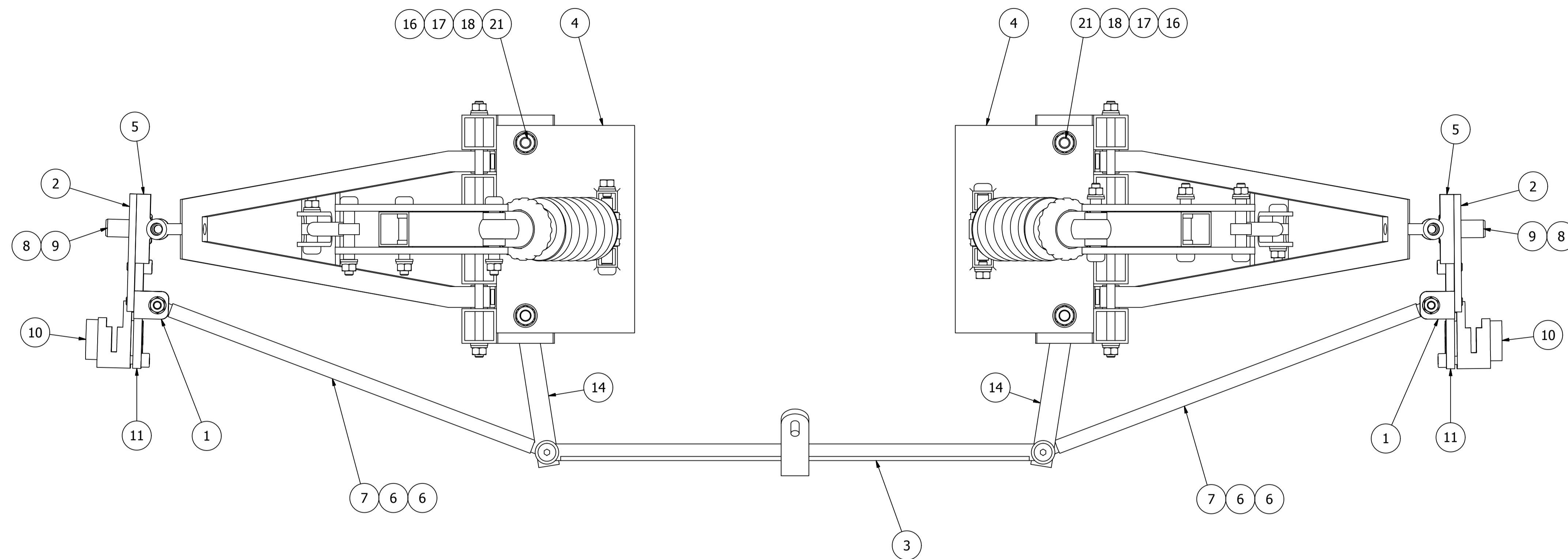
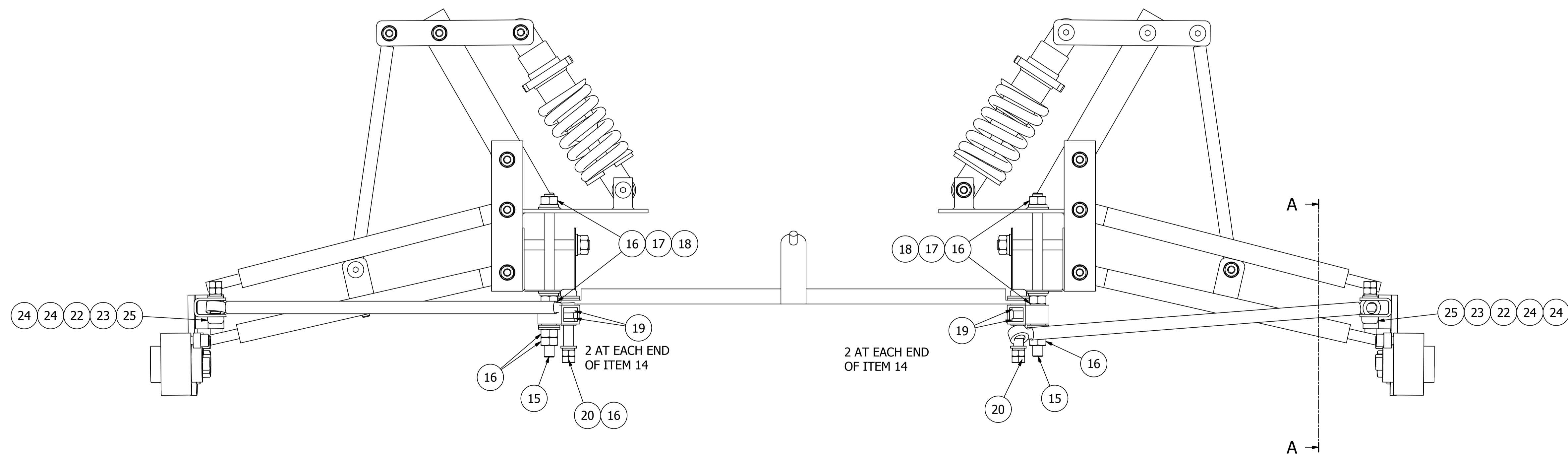


PARTS LIST		
ITEM	QTY	DESCRIPTION
1	2	wheel 26 inch
2	2	pedal axle
3	1	steering wheel
4	1	mid axle
5	2	pedal (existing part from Mk2)
6	2	welded radius arm
7	7	NP20/UCP204 Pillow Block Bearing
8	2	pedal crank
9	3	iTaperLock Sprocket - Metric 40 Series, 38 Teeth
10	3	iTaperLock-Metric 1610 20mm Bore
11	4	side plate
12	2	profile cap
13	1	suspension assy front
14	1	rear driven axle
15	2	front side chain Series 40 104 links
16	1	rear centre chain Series 40 130 links
17	2	pedal slider
18	2	ISO 4032 - M10 Nut
19	4	ratchet sprocket
20	2	Rear radius arm
21	1	steering column bearing wedge
22	1	pedal boss
23	1	iTaperLock Sprocket - Metric 40 Series 16 Teeth
24	1	iTaperLock-Metric 1108 20mm Bore
25	2	Rear Suspension Assembly

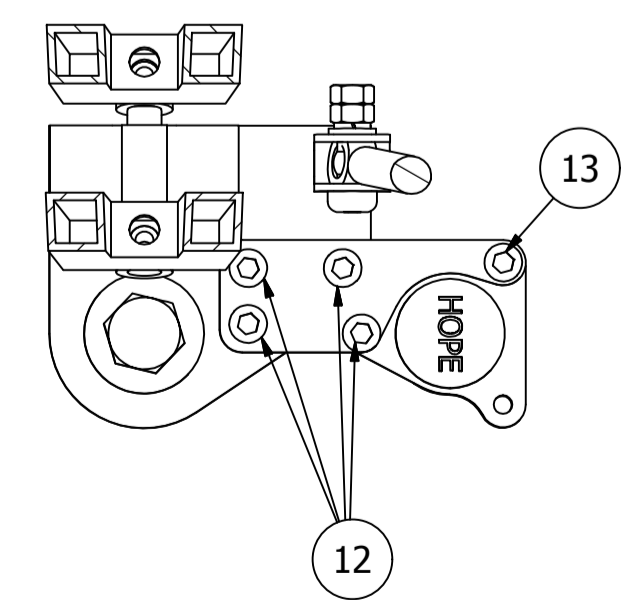




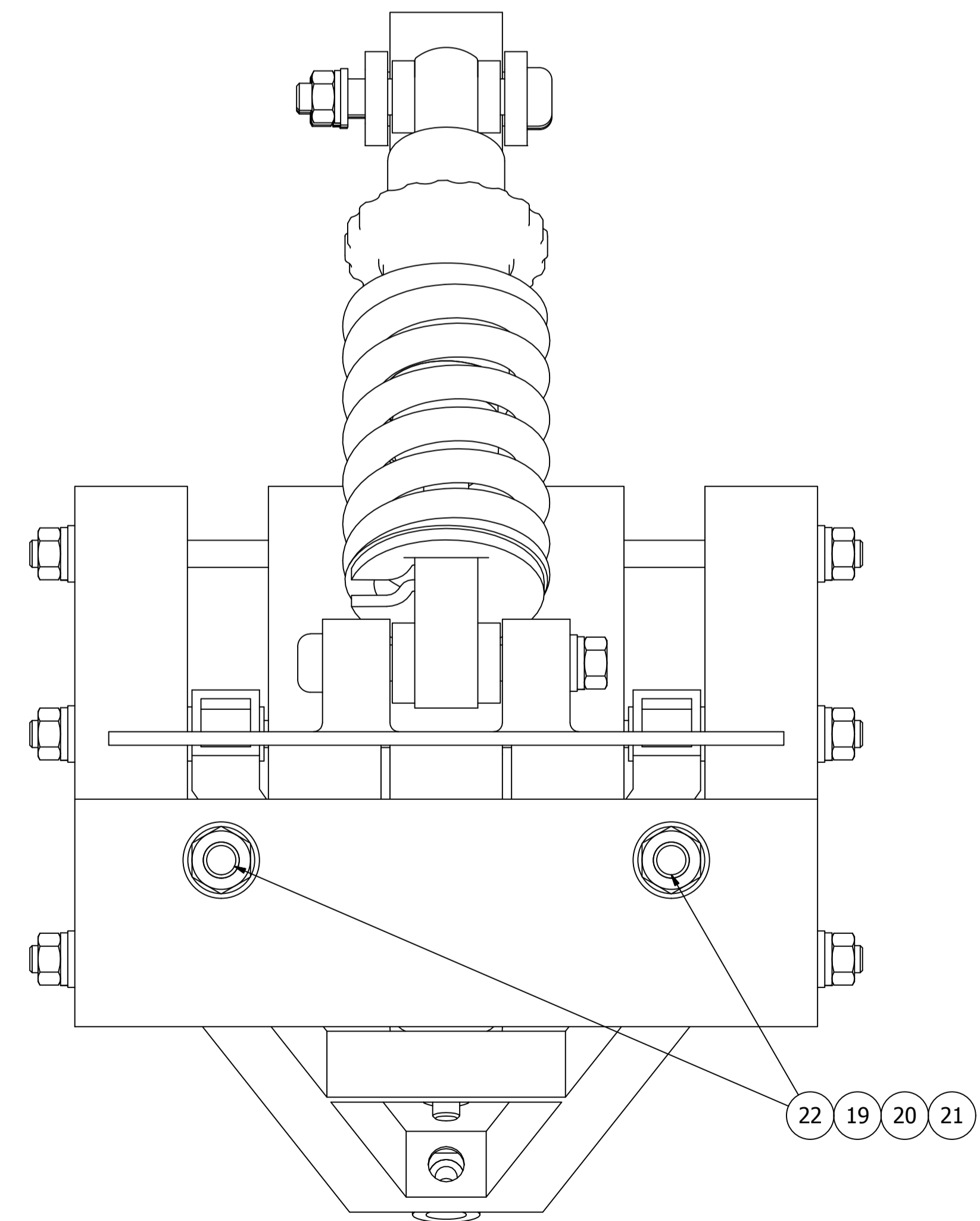
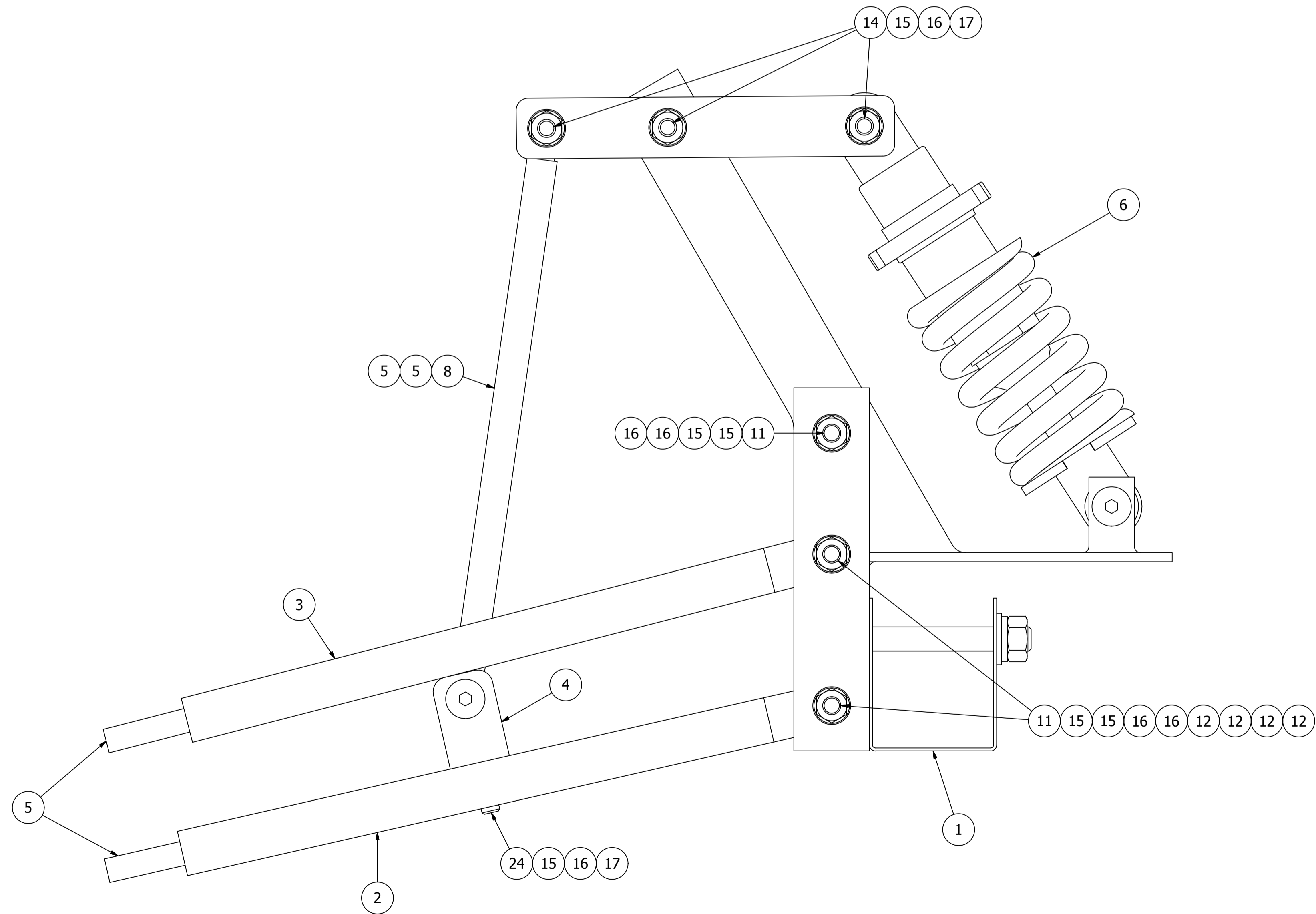
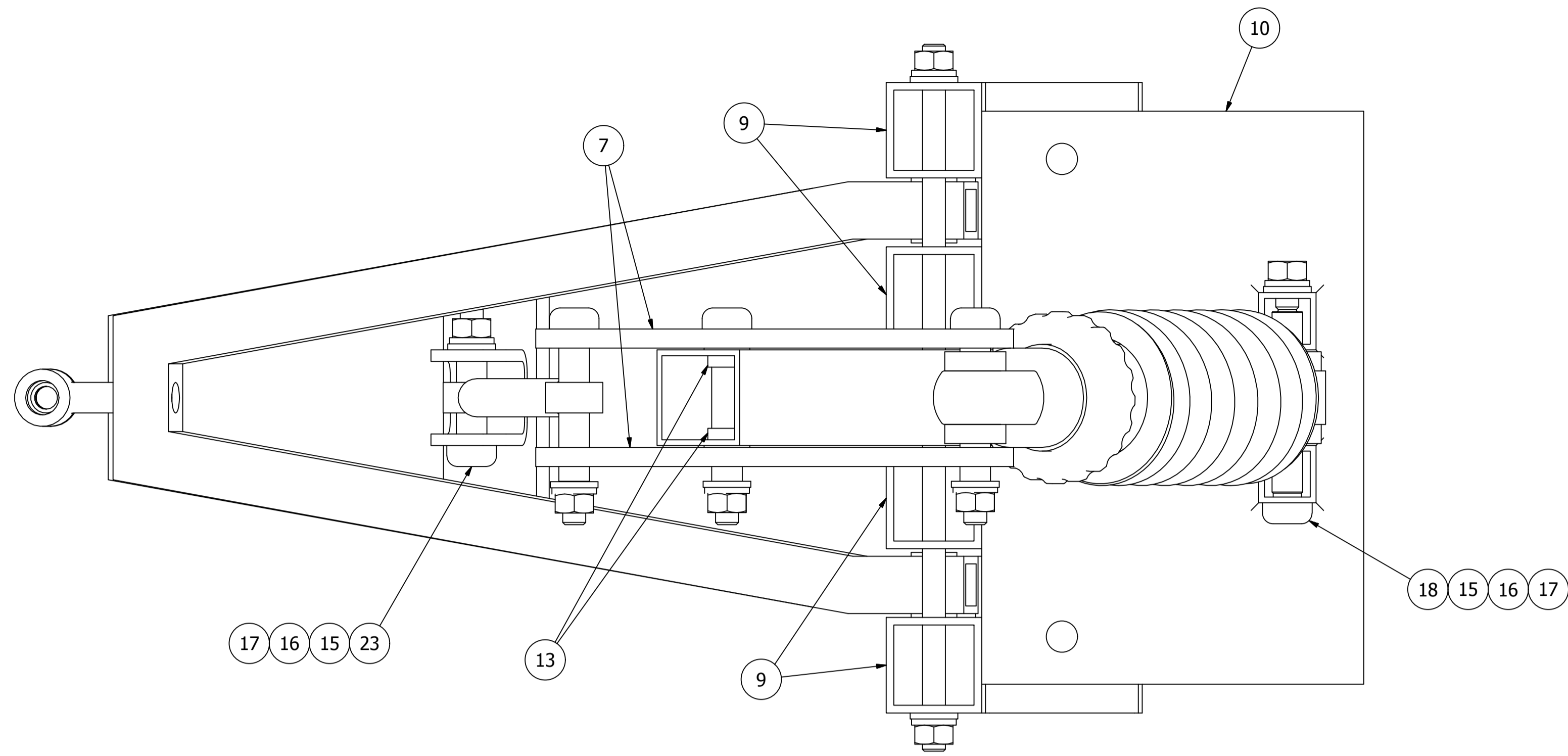
PARTS LIST		
ITEM	QTY	PART NUMBER
1	2	steering link bracket
2	2	hub
3	1	steering crossmember
4	2	wishbone assy
5	2	steering plate
6	4	Rod end bearing M6 Female
7	2	threaded rod steering
8	2	front wheel washer (existing part)
9	2	front wheel bolt (existing part)
10	2	brake caliper (existing Hope part)
11	2	brake caliper mounting bracket
12	8	ISO 4762 - M6 x 12
13	2	ISO 4762 - M6 x 30
14	2	steering linkage 1
15	2	M8 rod x 130mm
16	10	BS 3692 - M8 Nut
17	6	BS 4464 - 8.55 Spring Washer
18	16	BS 4320 - M8 Washer (Form A)
19	8	skiffy high wear bearing 008 1050 192 47
20	2	BS 4168 - Screw M8 x 40
21	2	ISO 4762 - Screw Cap Head M8 x 80
22	4	BS 4464 - M6 Spring Washer Form A
23	4	BS 4320 - M6 Washer (Form A)
24	8	BS 3692 - M6 Nut
25	2	BS 4168 - 8 x 15 Shoulder Screw



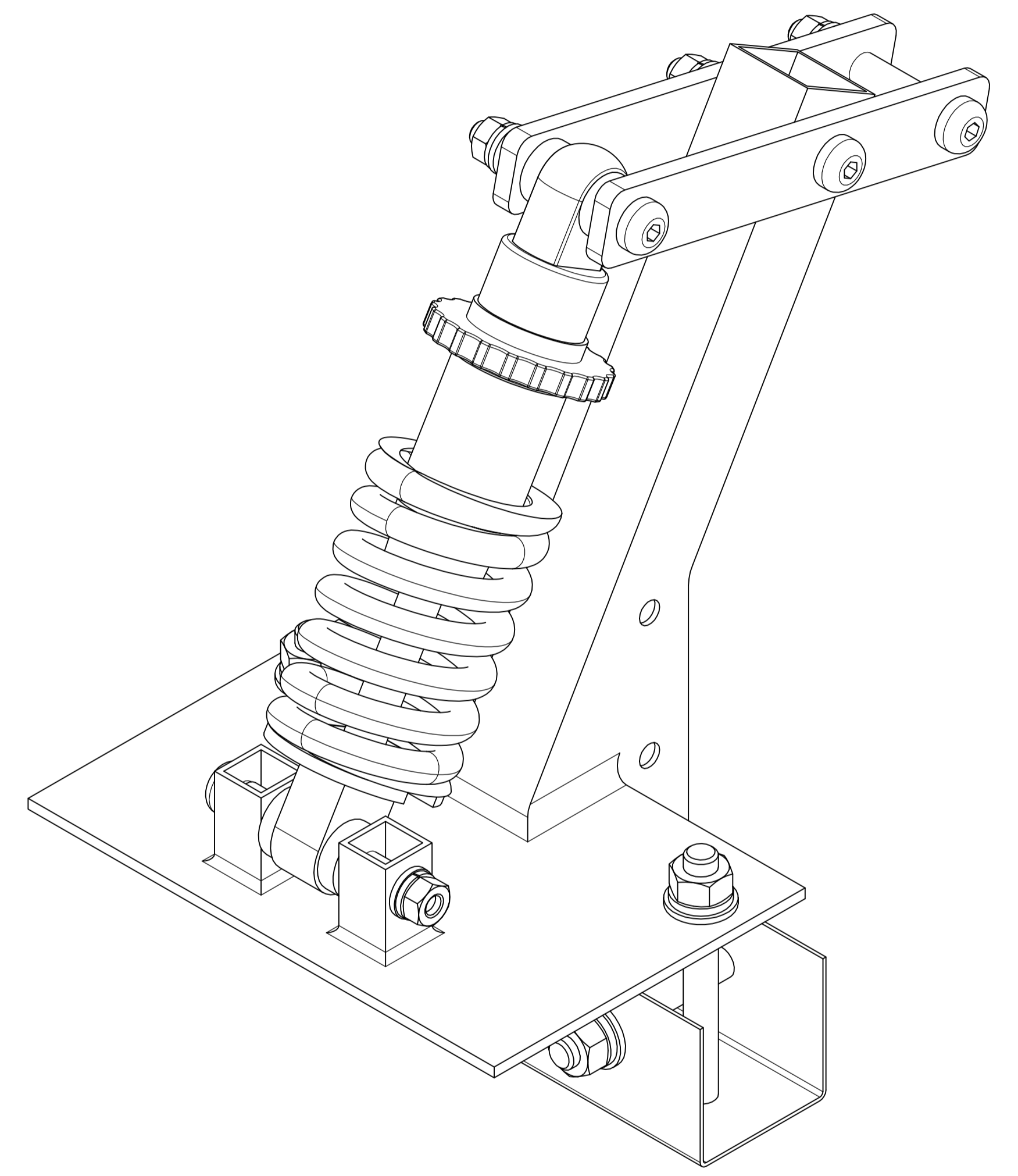
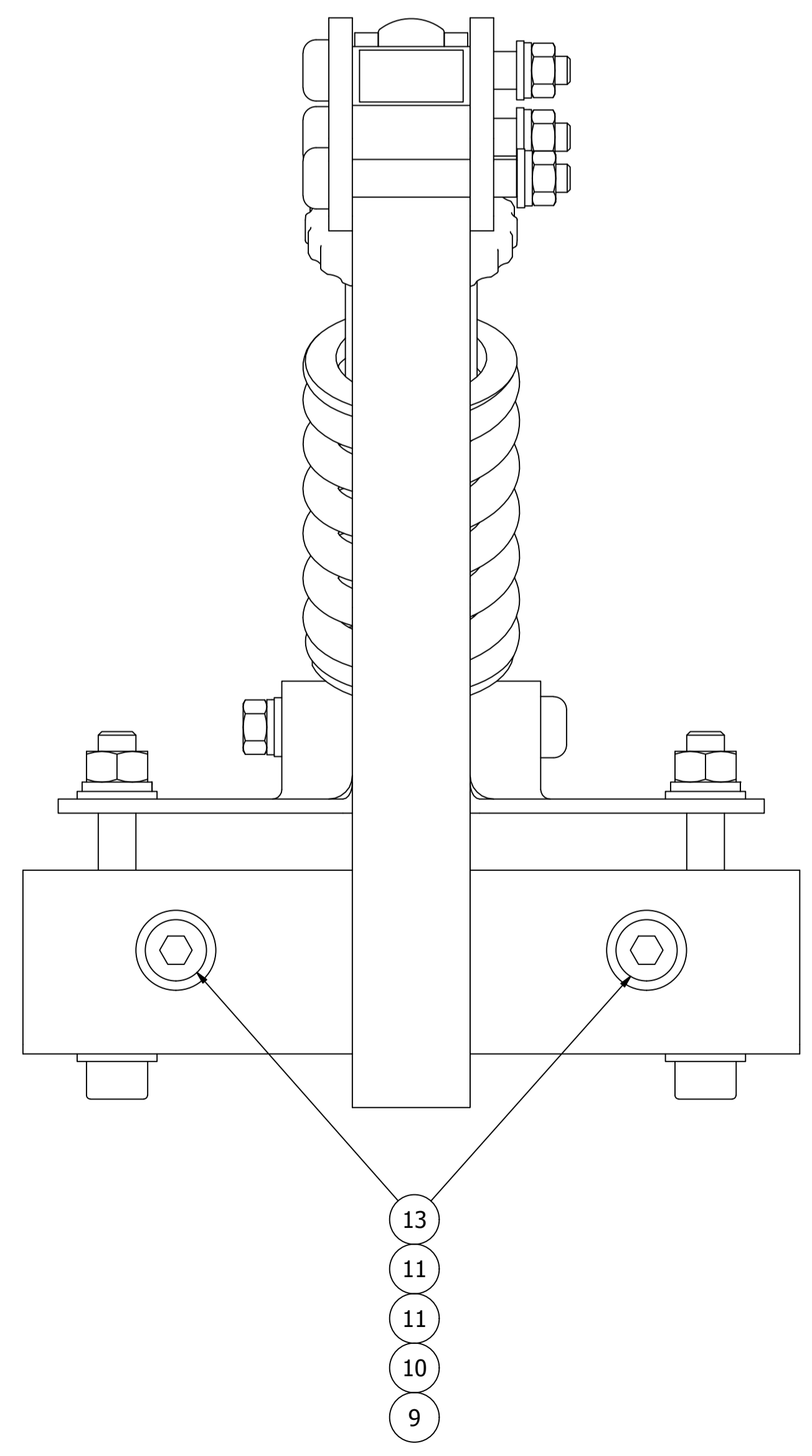
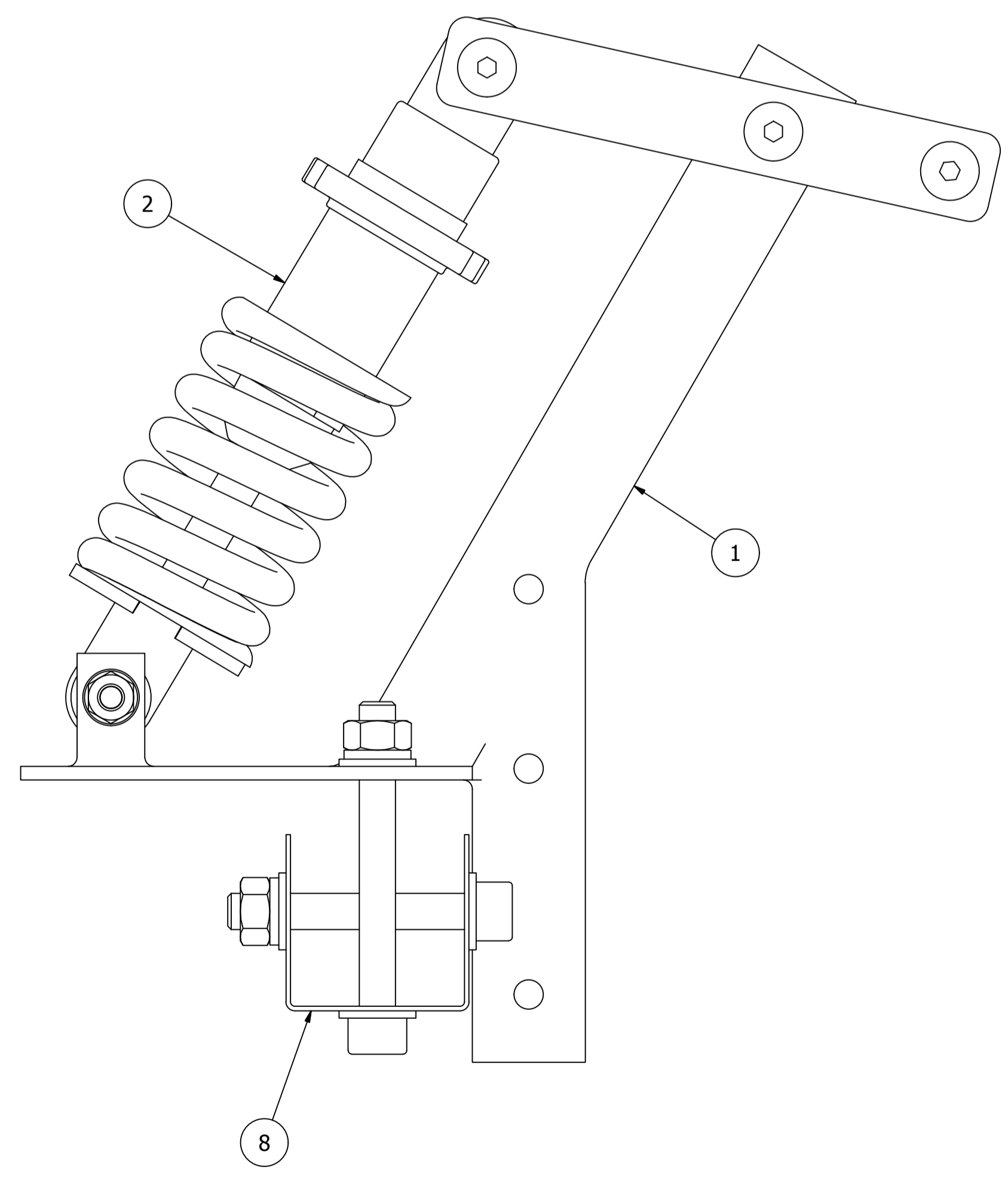
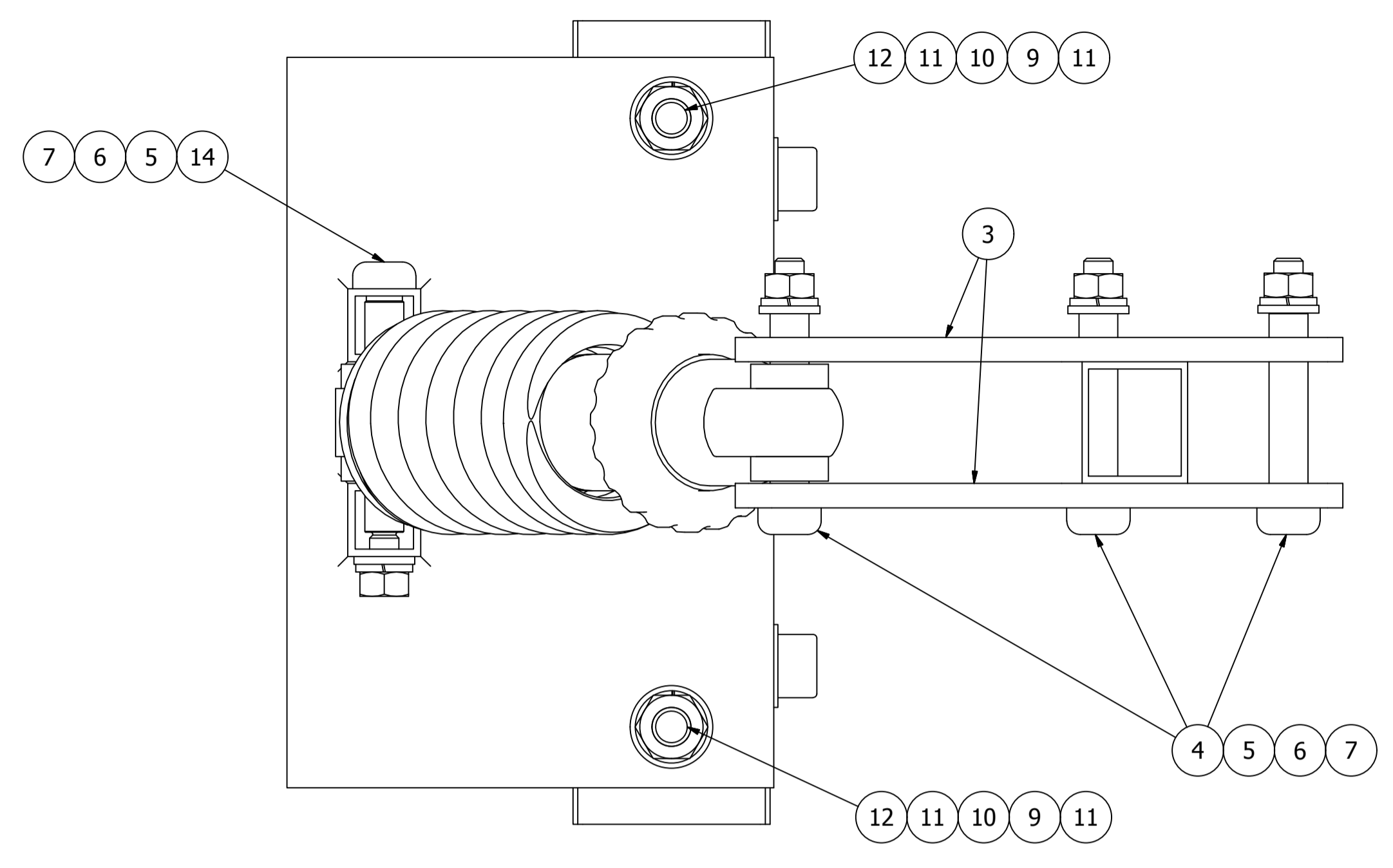
SECTION A-A  
(SAME BOTH SIDES)



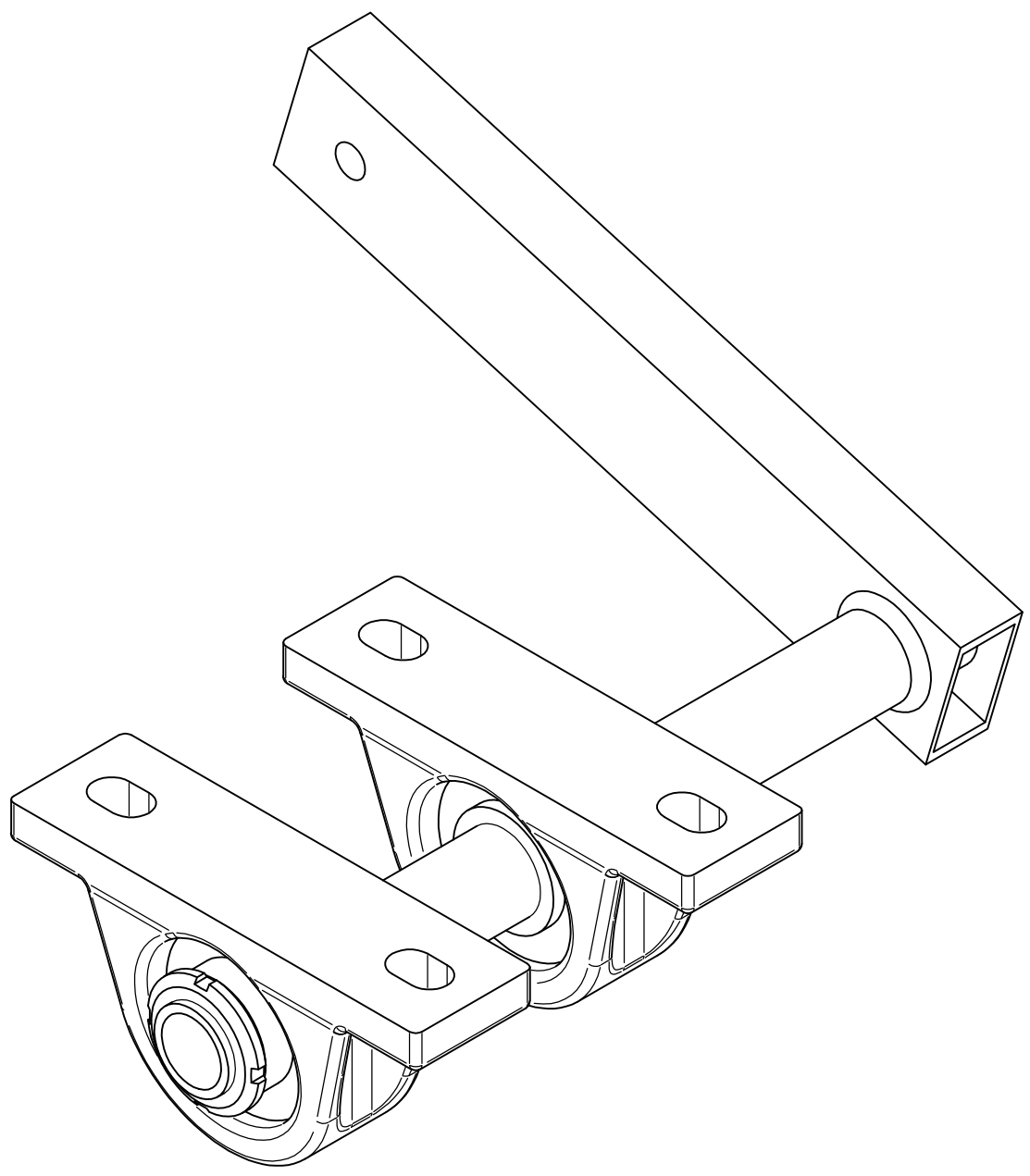
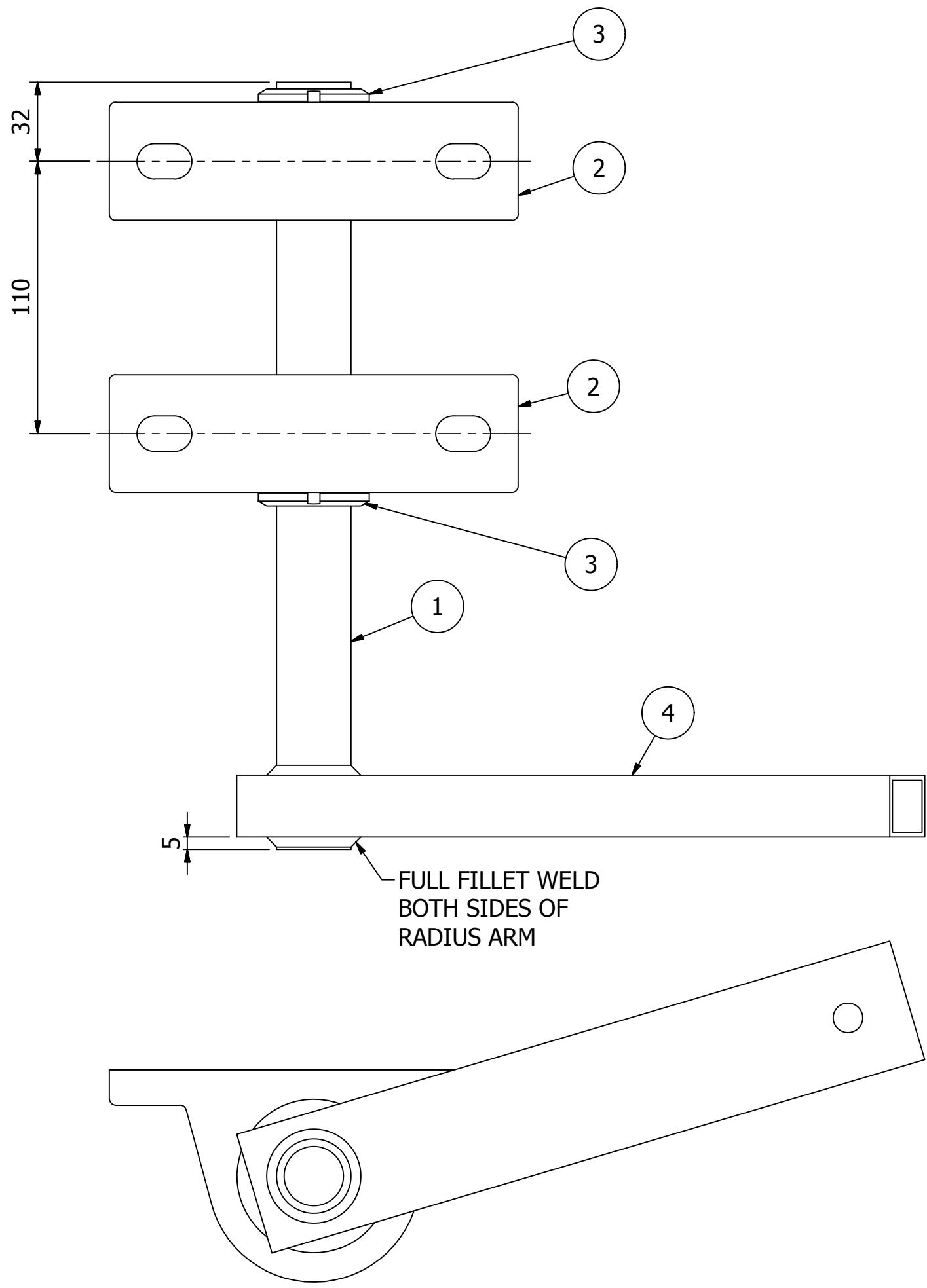
PARTS LIST		
ITEM	QTY	DESCRIPTION
1	1	U channel
2	1	wishbone lower
3	1	wishbone
4	1	wishbone bracket
5	4	Rod end bearing ???
6	1	shock absorber
7	2	cantilever
8	1	threaded rod top
9	4	suspension support tube
10	1	support structure
11	3	wishbone pivot
12	8	skiffy high wear bearing 008 1010 192 47
13	2	skiffy high wear bearing 008 1050 192 47
14	3	BS 4168 - 8 x 40 Shoulder Screw
15	12	BS 4320 - M6 Washer (Form A)
16	12	BS 4464 - 6.4 Spring Washer
17	12	BS 3692 - M6 Nut
18	1	BS 4168 - 8 x 50 Shoulder Screw
19	4	BS 4320 - M8 Washer (Form A)
20	2	BS 4464 - 8.55 Spring Washer
21	2	BS 3692 - M8 Nut
22	2	ISO 4762 - M8 x 55 Cap Head Screw
23	1	BS 4168 - 8 x 25 Shoulder Screw
24	1	ISO 4762 - M6 x 20



PARTS LIST		
ITEM	QTY	DESCRIPTION
1	1	support structure
2	1	shock absorber
3	2	cantilever
4	3	BS 4168 - 8 x 40 Shoulder Screw
5	4	BS 4320 - M6 Washer (Form A)
6	4	BS 4464 - 6.4 Spring Washer
7	4	BS 3692 - M6 Nut
8	1	U channel rear
9	4	BS 3692 - M8 Nut
10	4	BS 4464 - 8.55 Spring Washer
11	8	BS 4320 - M8 Washer (Form A)
12	2	ISO 4762 - M8 x 70 Cap Head Screw
13	2	ISO 4762 - M8 x 55 Cap Head Screw
14	1	BS 4168 - 8 x 50 Shoulder Screw

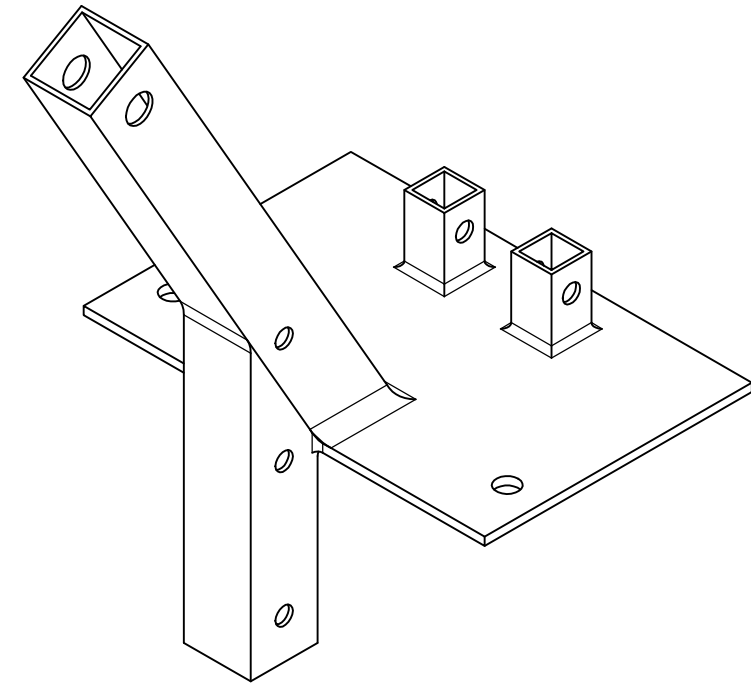
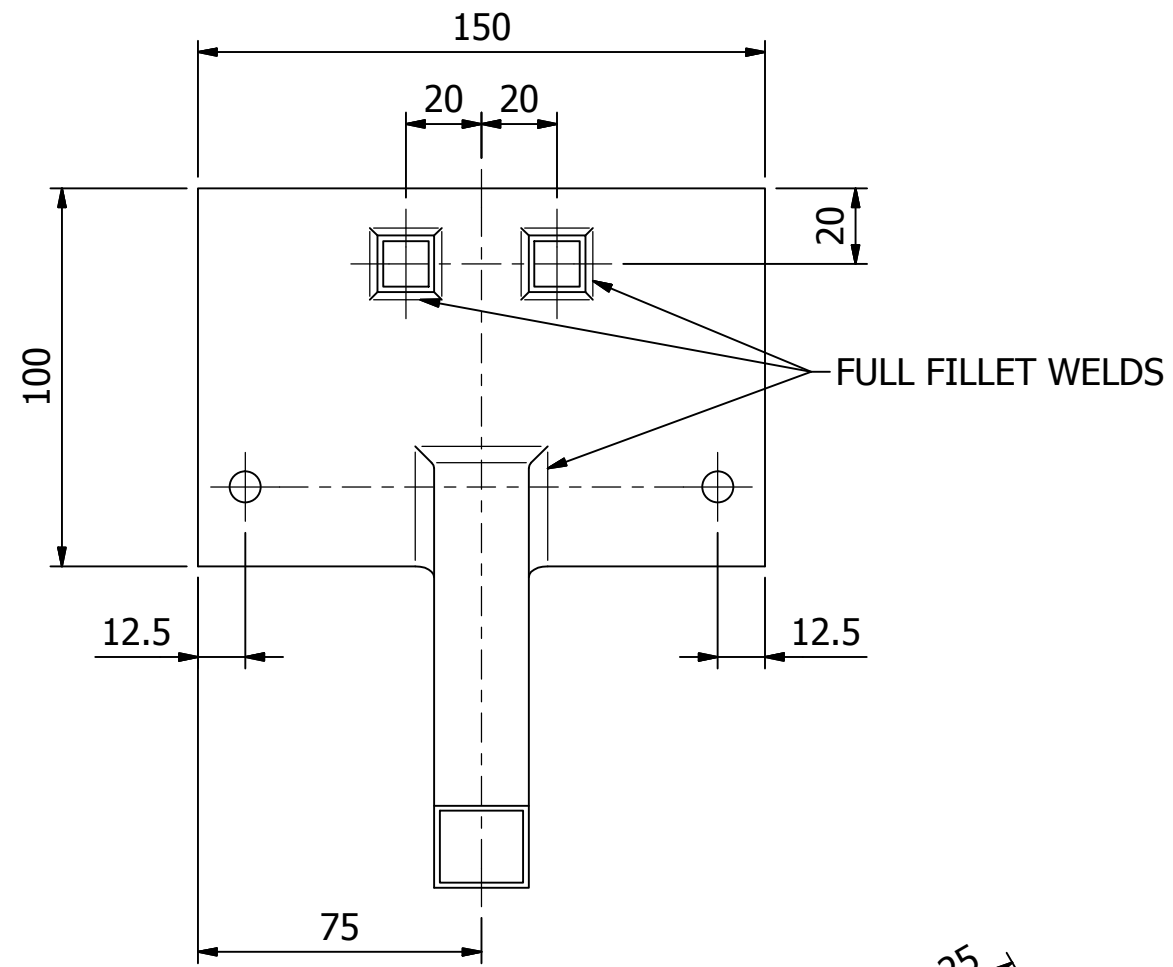


PARTS LIST		
ITEM	QTY	DESCRIPTION
1	1	stub axle sleeve
2	2	NP30/UCP206 Pillow Block Bearing
3	2	KM6 lock nut M30x1.5 (Simply Bearings)
4	1	radius arm



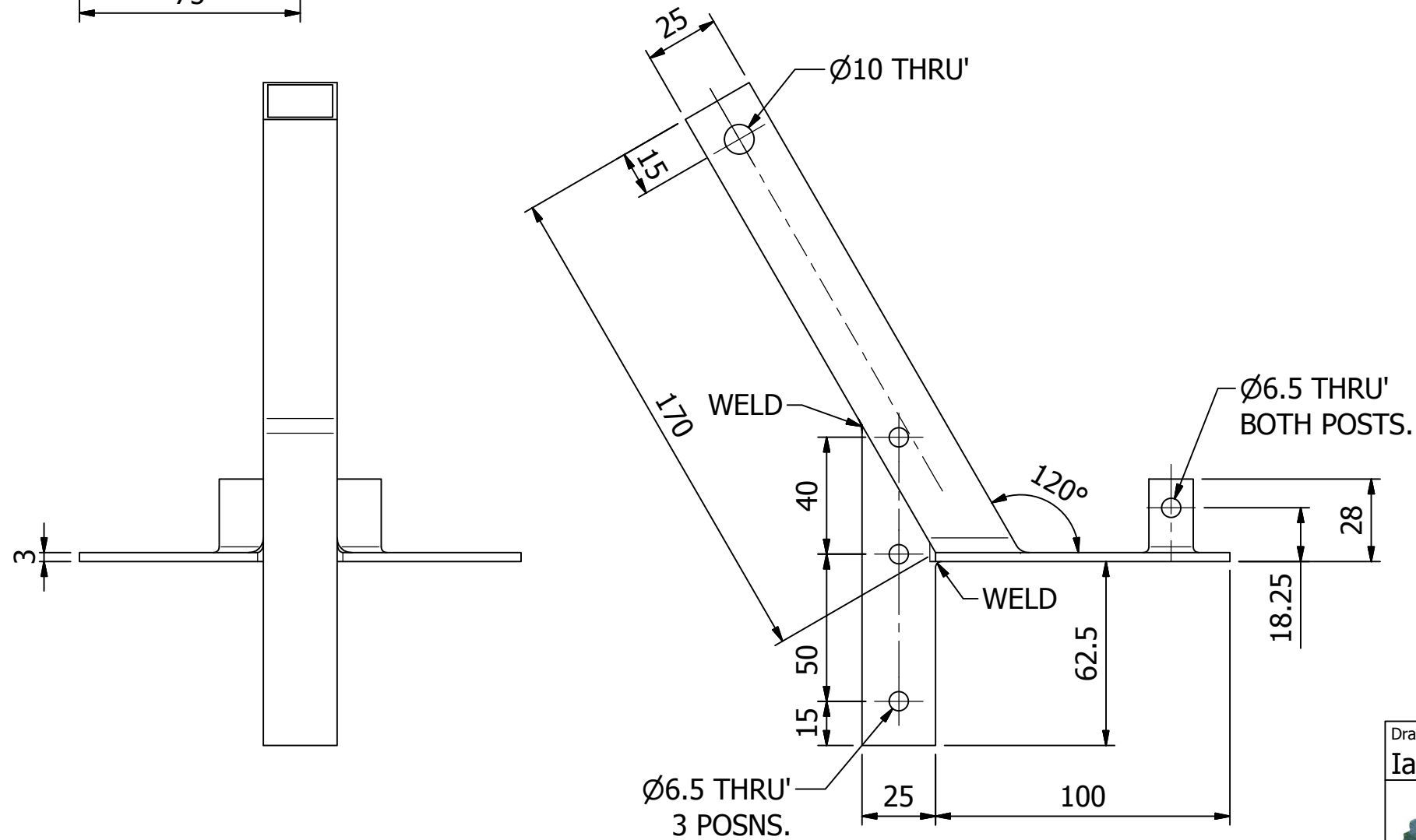
Drawn by <b>Ian Kennard</b>	Checked by	Scale <b>1:2 @ A3</b>	Date <b>13/11/2013</b>
<b>Rear Radius Arm Assembly</b>			
Part no. <b>HGA005</b>		Revision <b>0</b>	Sheet <b>5 / 8</b>




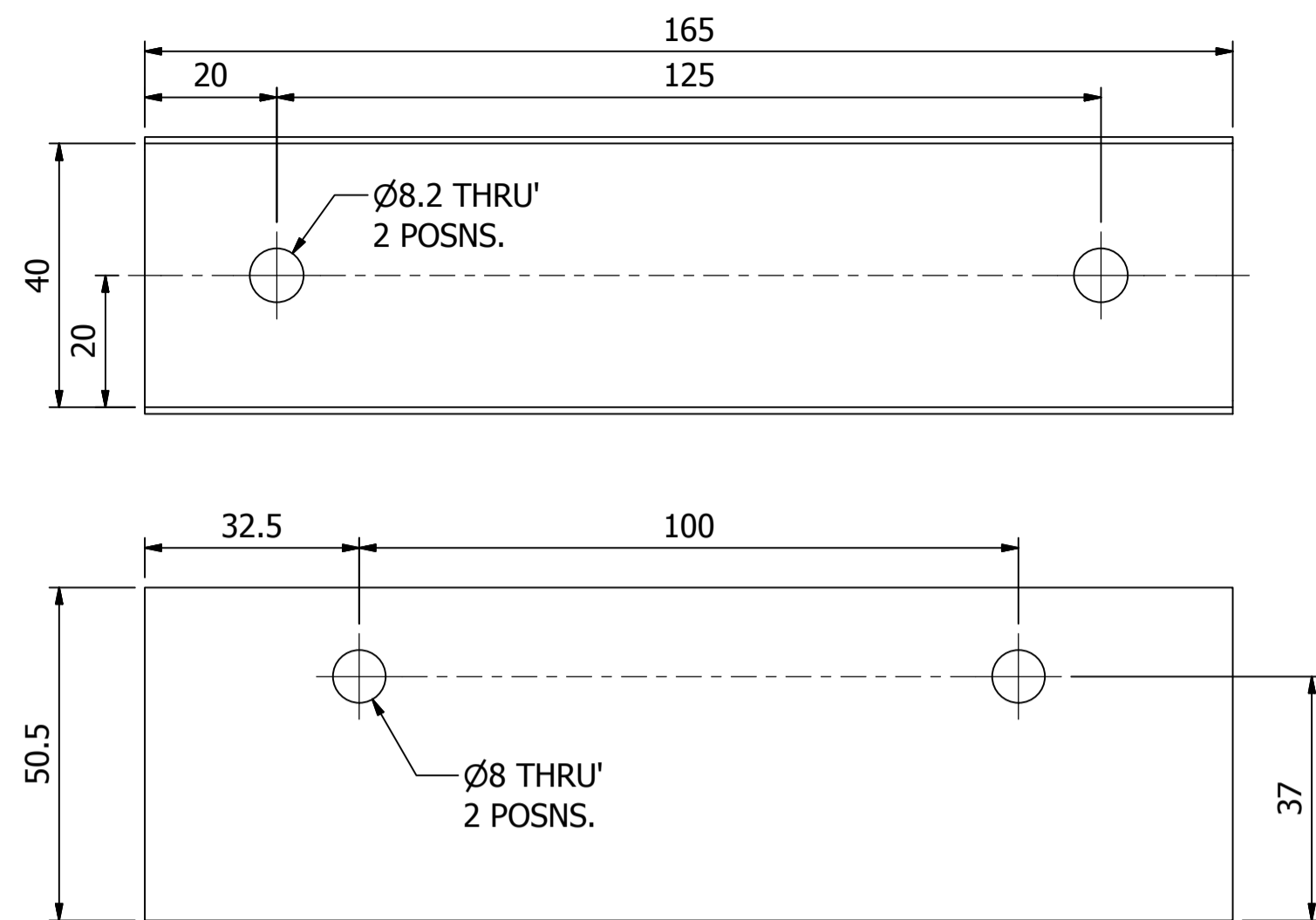


MATERIALS :-

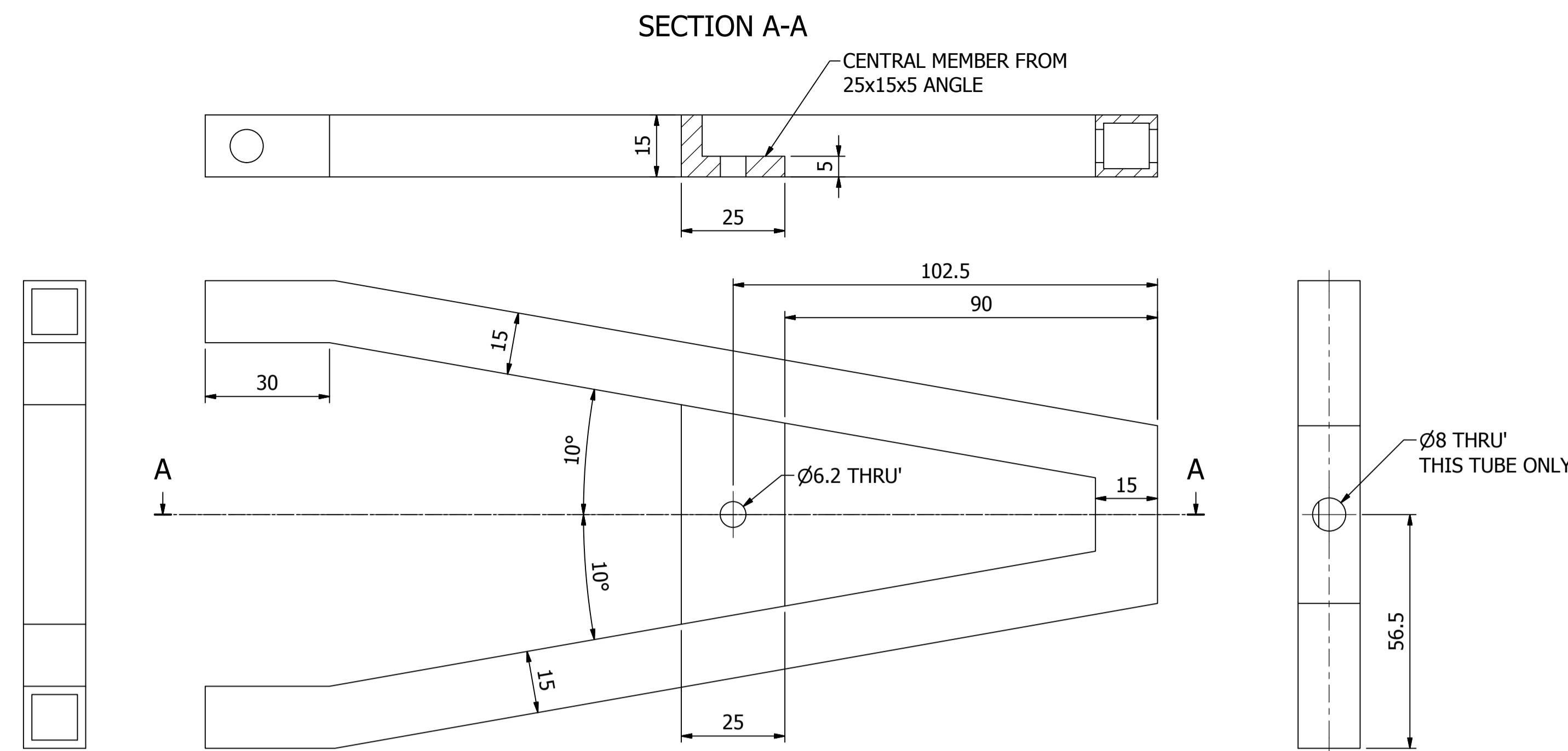
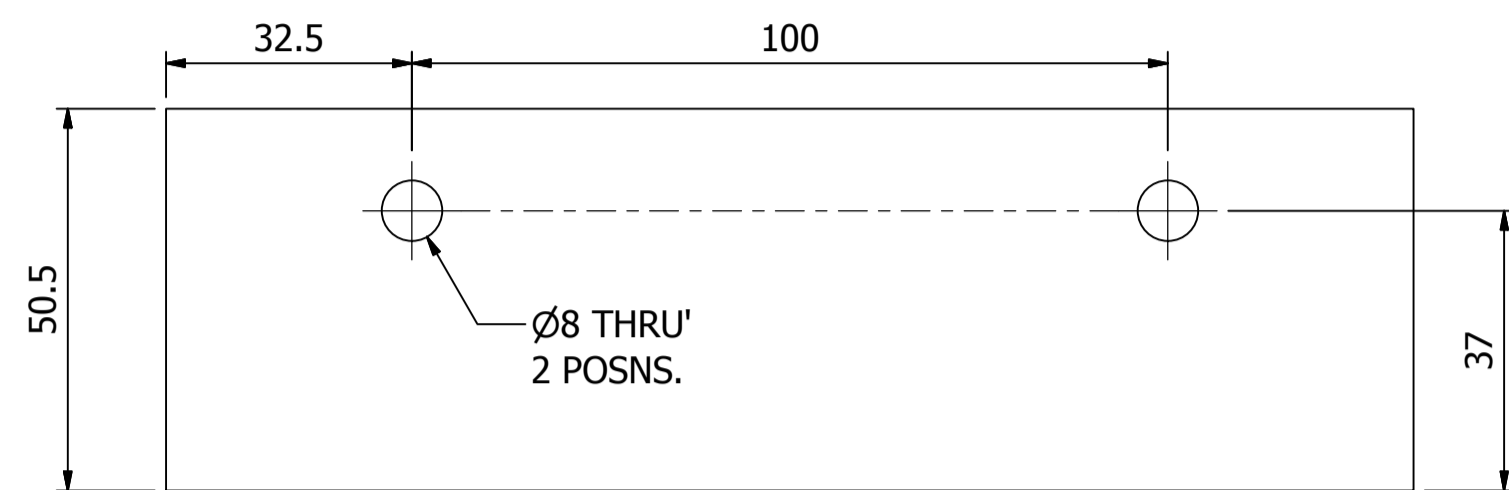
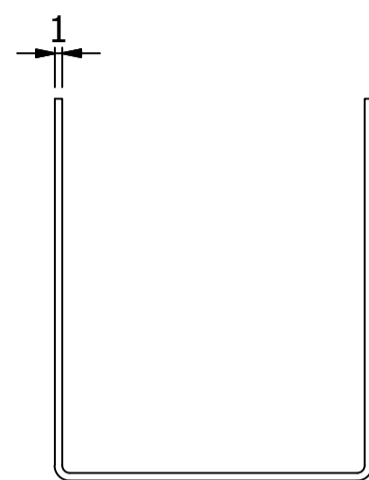
25x25x1.5 SHS  
 15x15x1.5 SHS  
 3mm SHEET



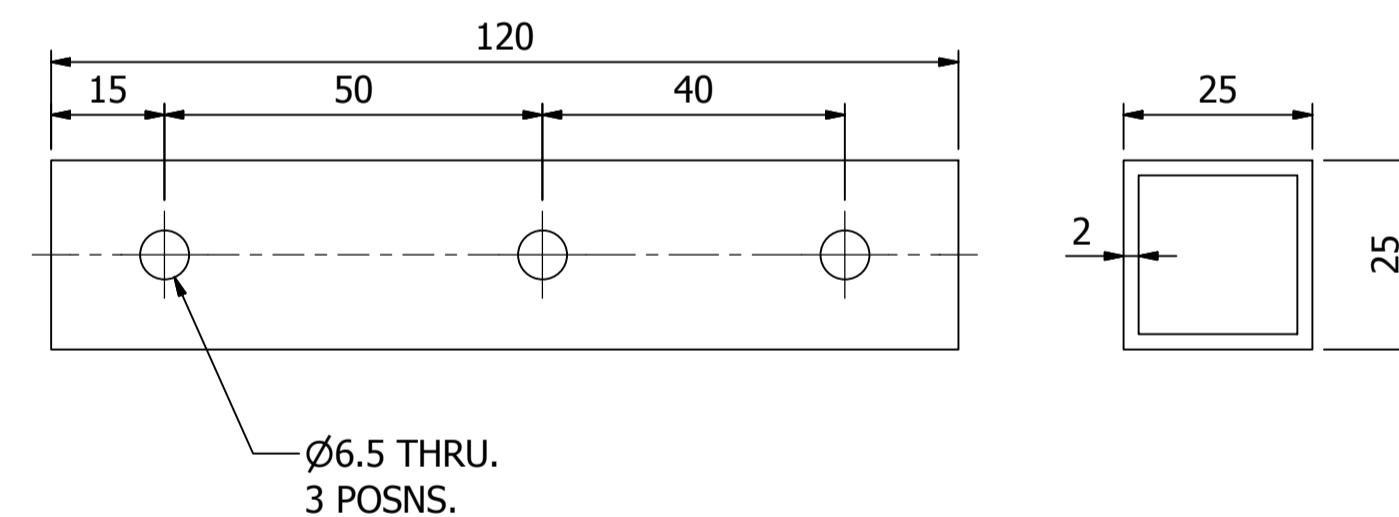
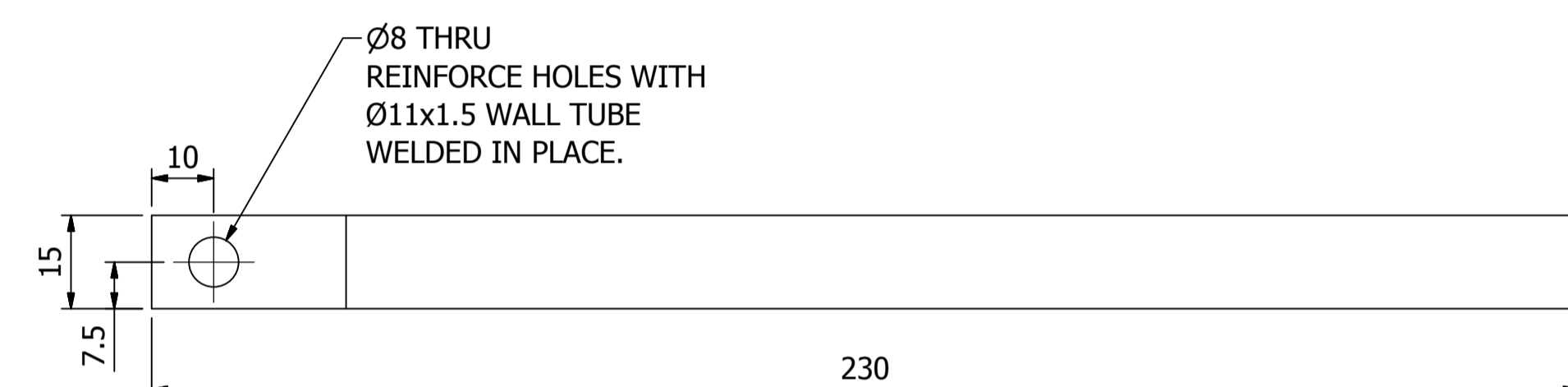
Drawn by Ian Kennard	Checked by	Scale	Date 13/11/2013
		Suspension Support Structure	
		Part no. HGA006	Revision 0



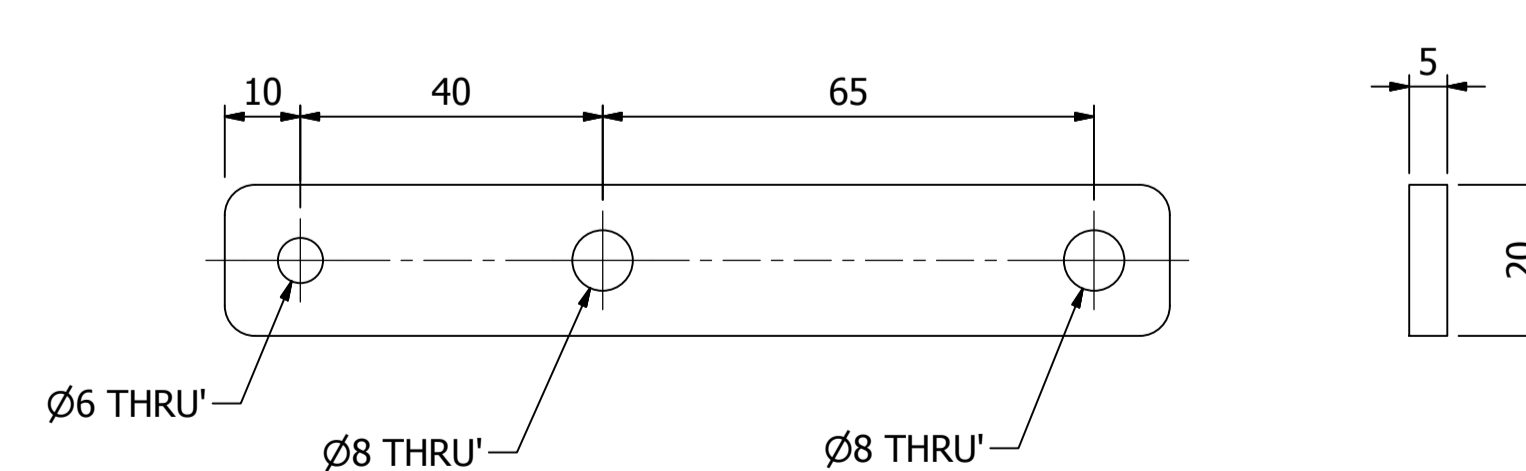
**FRONT SUSPENSION U-CHANNEL ( 1 : 1 )**  
MATERIAL : 1mm STEEL



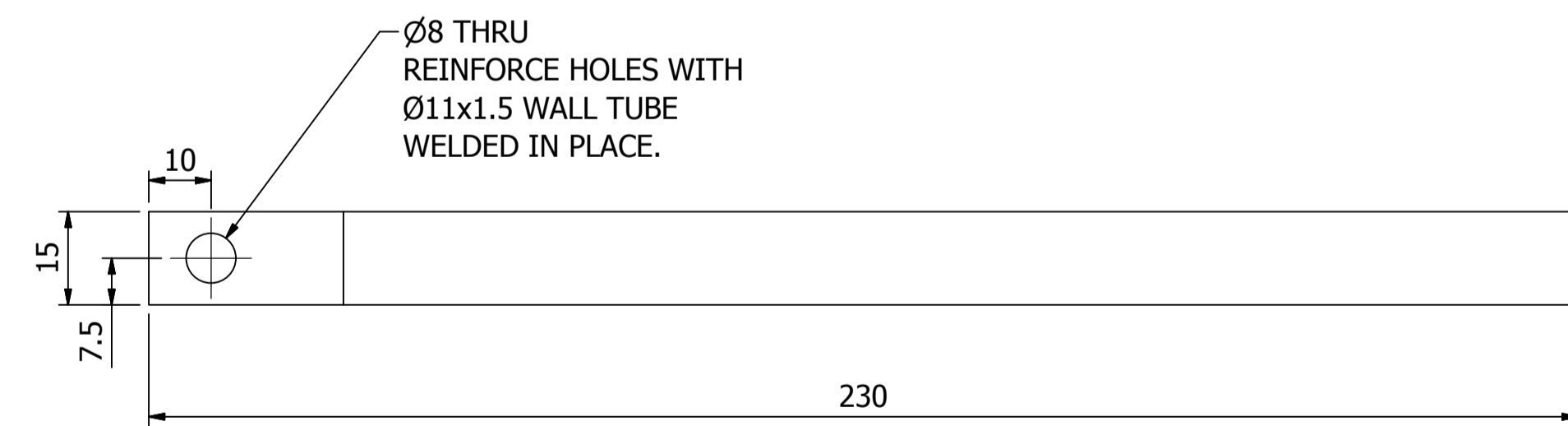
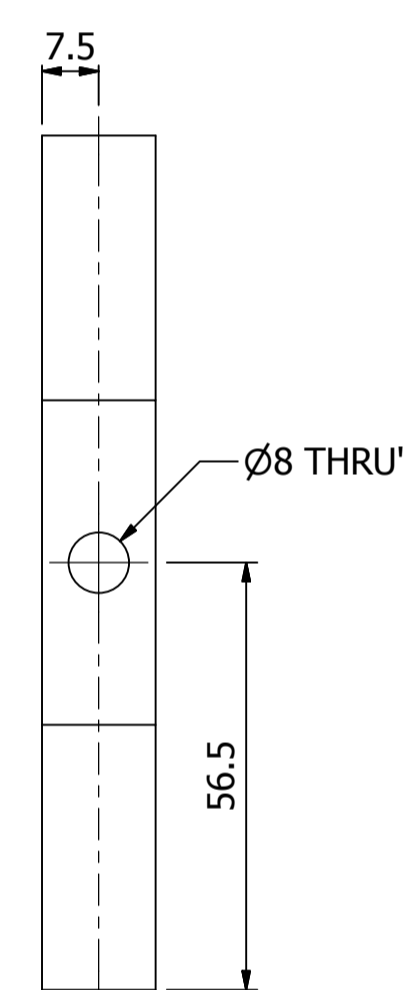
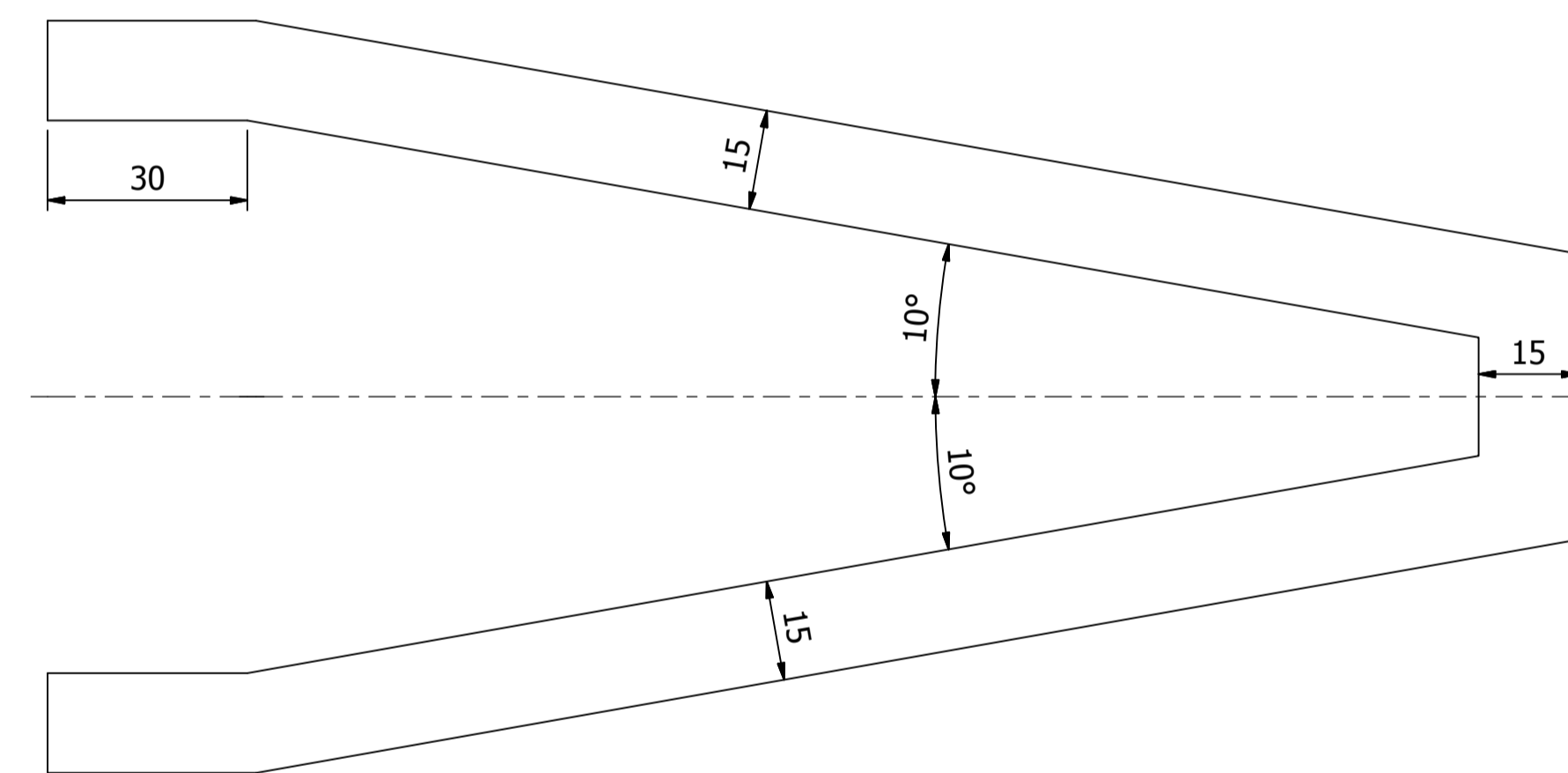
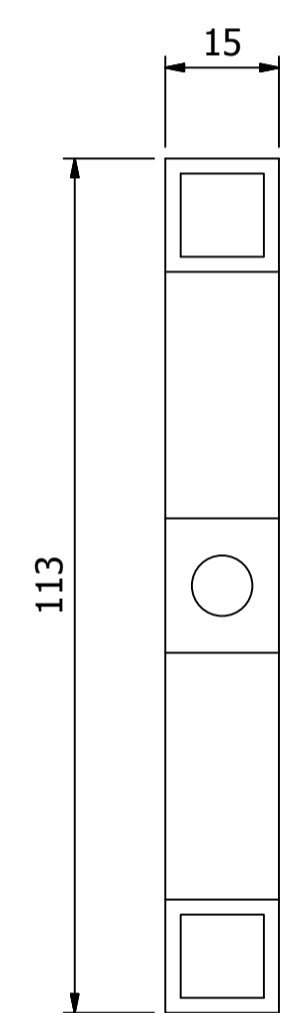
**LOWER WISHBONE ( 1 : 1 )**  
MATERIAL : 15x15x2 SHS STEEL  
& 25x15x5 STEEL ANGLE



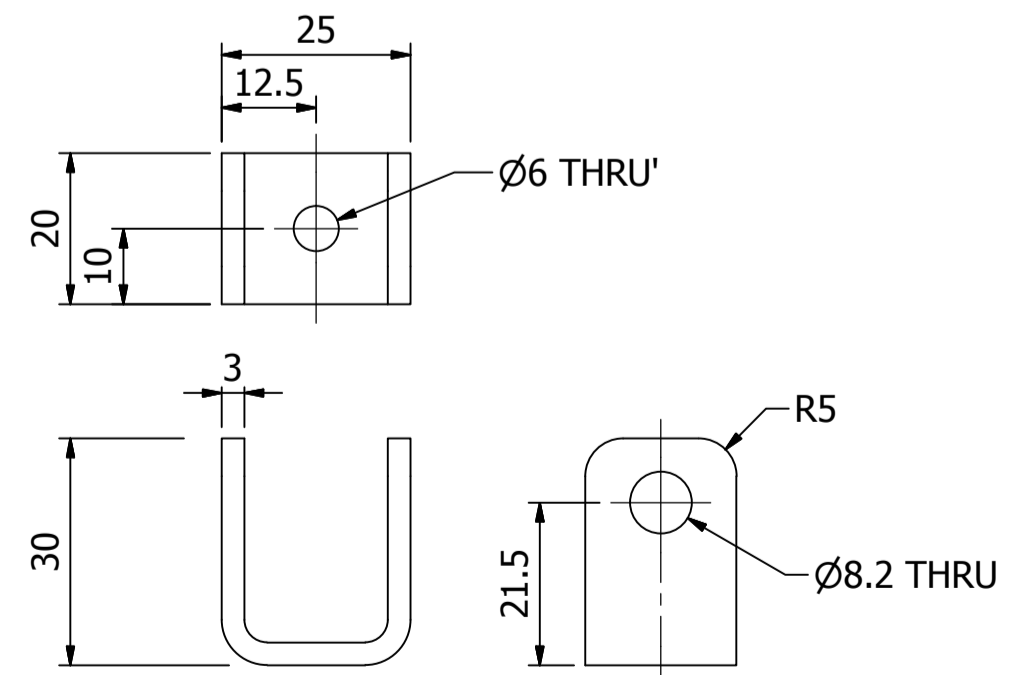
**SUSPENSION SUPPORT TUBE ( 1 : 1 )**  
MATERIAL : 25x25x2 SHS STEEL



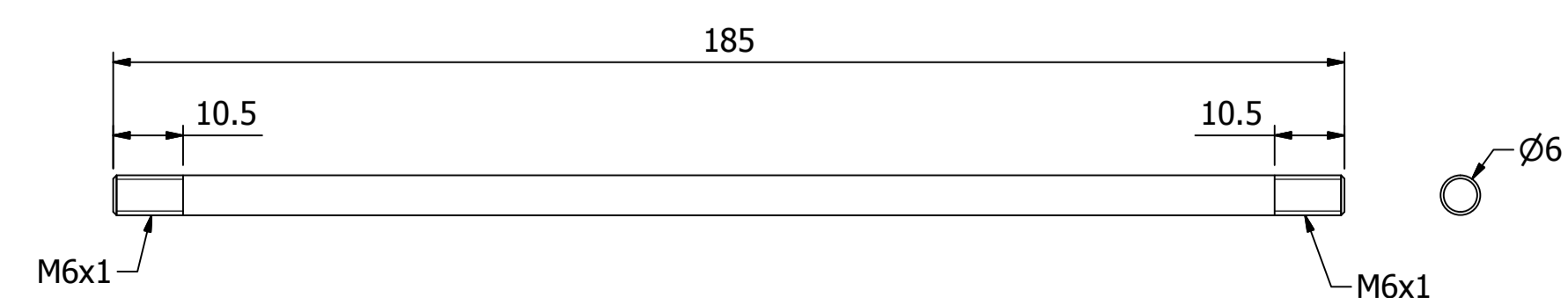
**CANTILEVER ( 1 : 1 )**  
MATERIAL : 25x5 STEEL FLAT



**WISHBONE ( 1 : 1 )**  
MATERIAL : 15x15x2 SHS STEEL

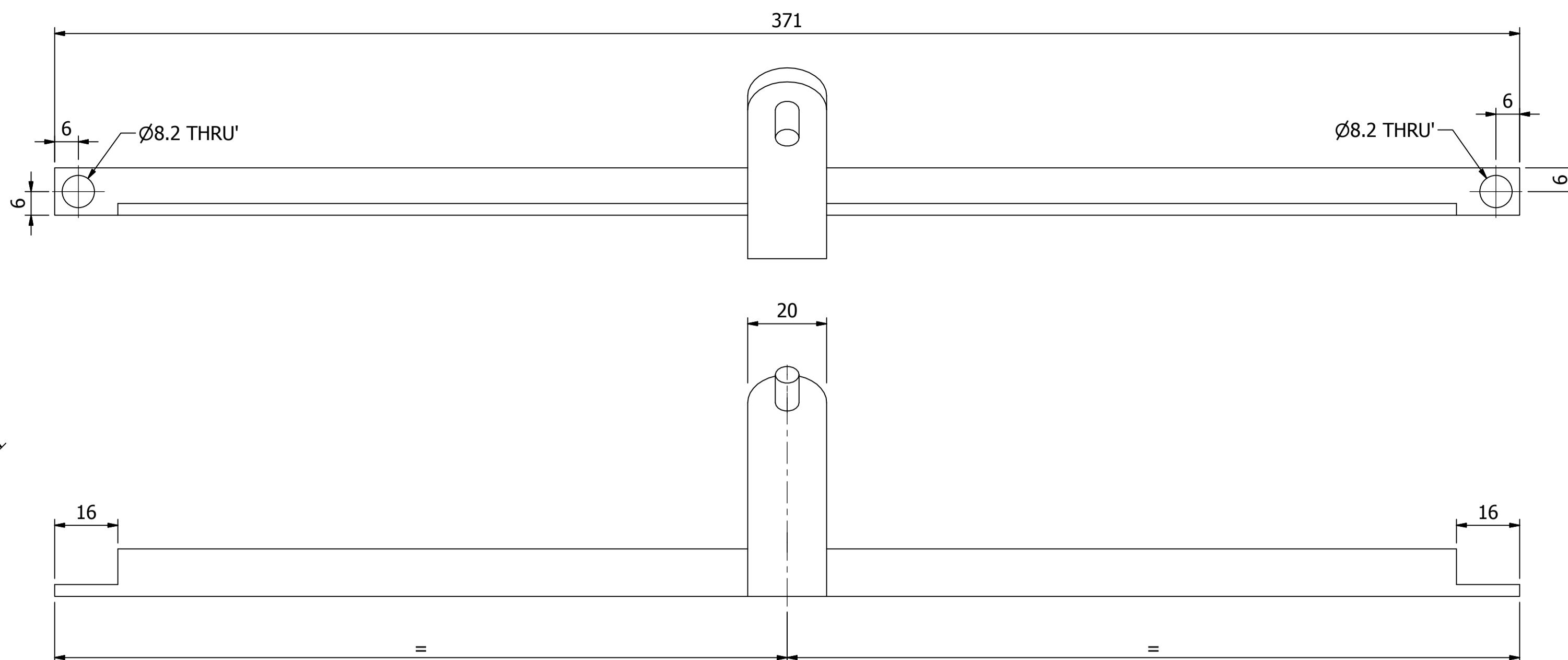
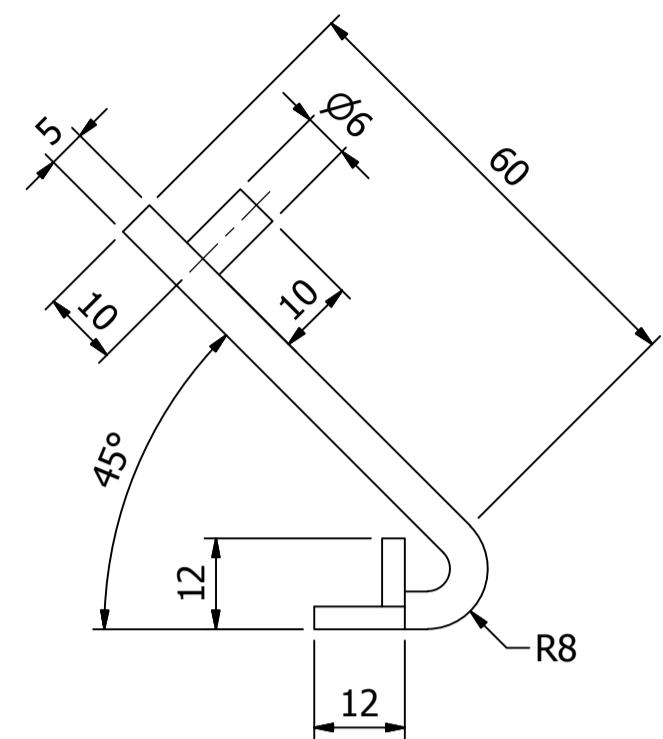


**WISHBONE BRACKET ( 1 : 1 )**  
MATERIAL : 20x3mm STEEL FLAT

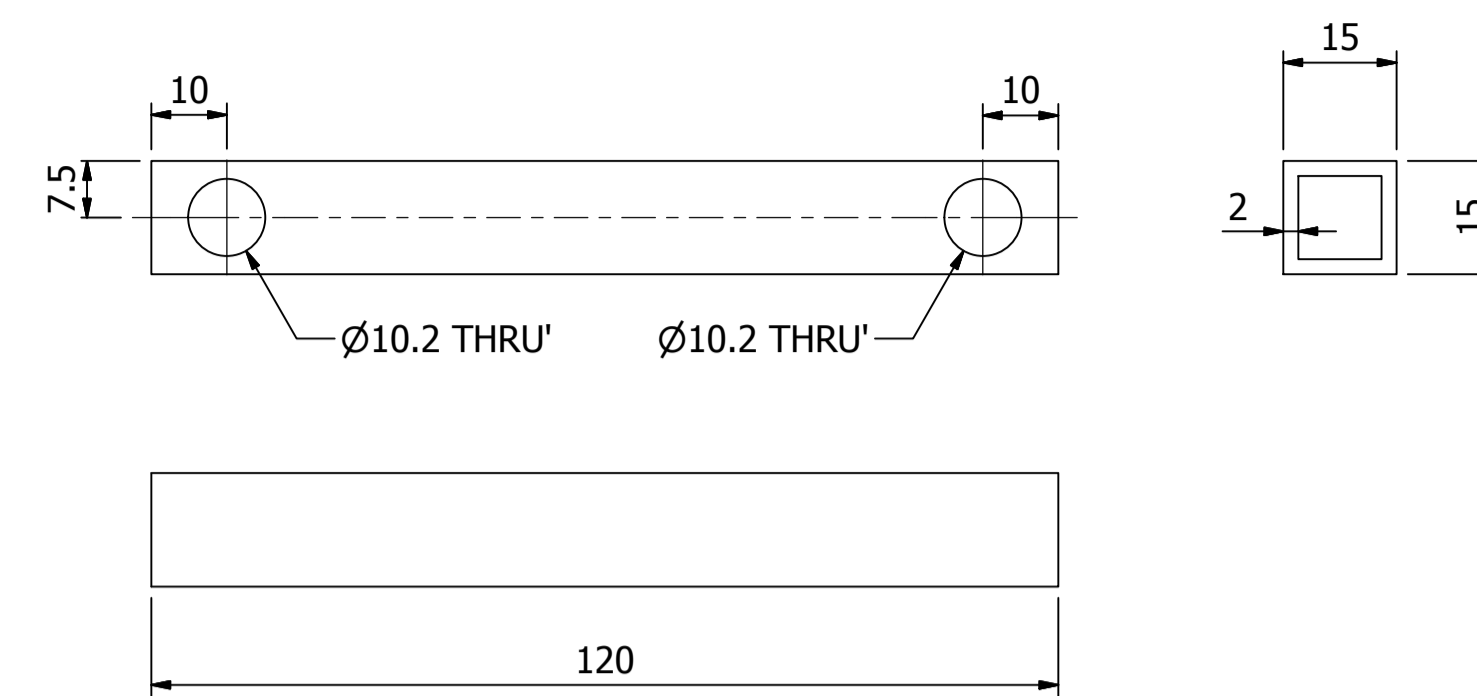


**WISHBONE PIVOT ( 1 : 1 )**  
MATERIAL Ø6 STEEL ROD

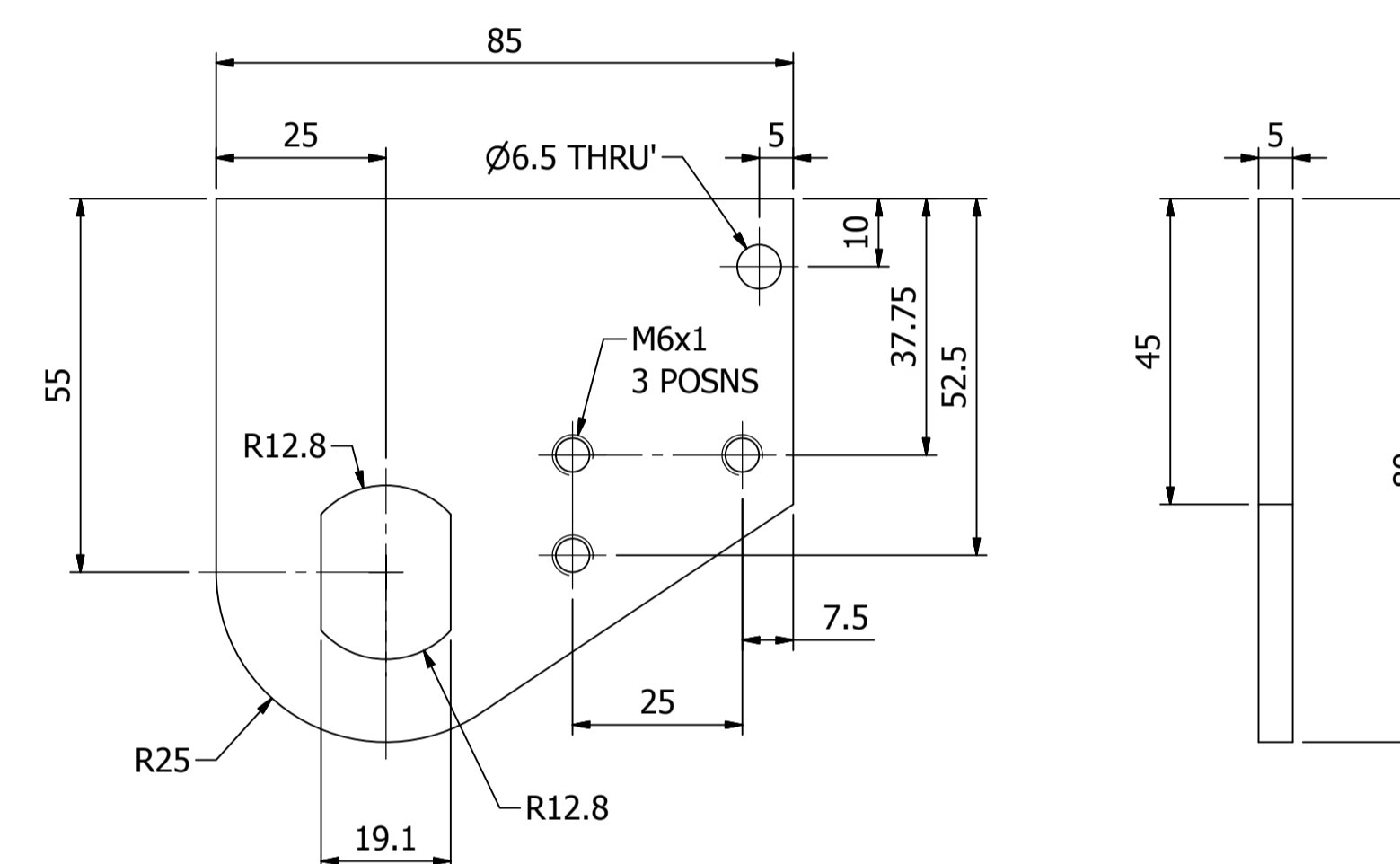
Drawn by Ian Kennard	Checked by	Scale 1:1 @ A1	Date 13/11/2013
Front Suspension Components 1			
Part no. HGA007	Revision 0	Sheet 7 / 8	



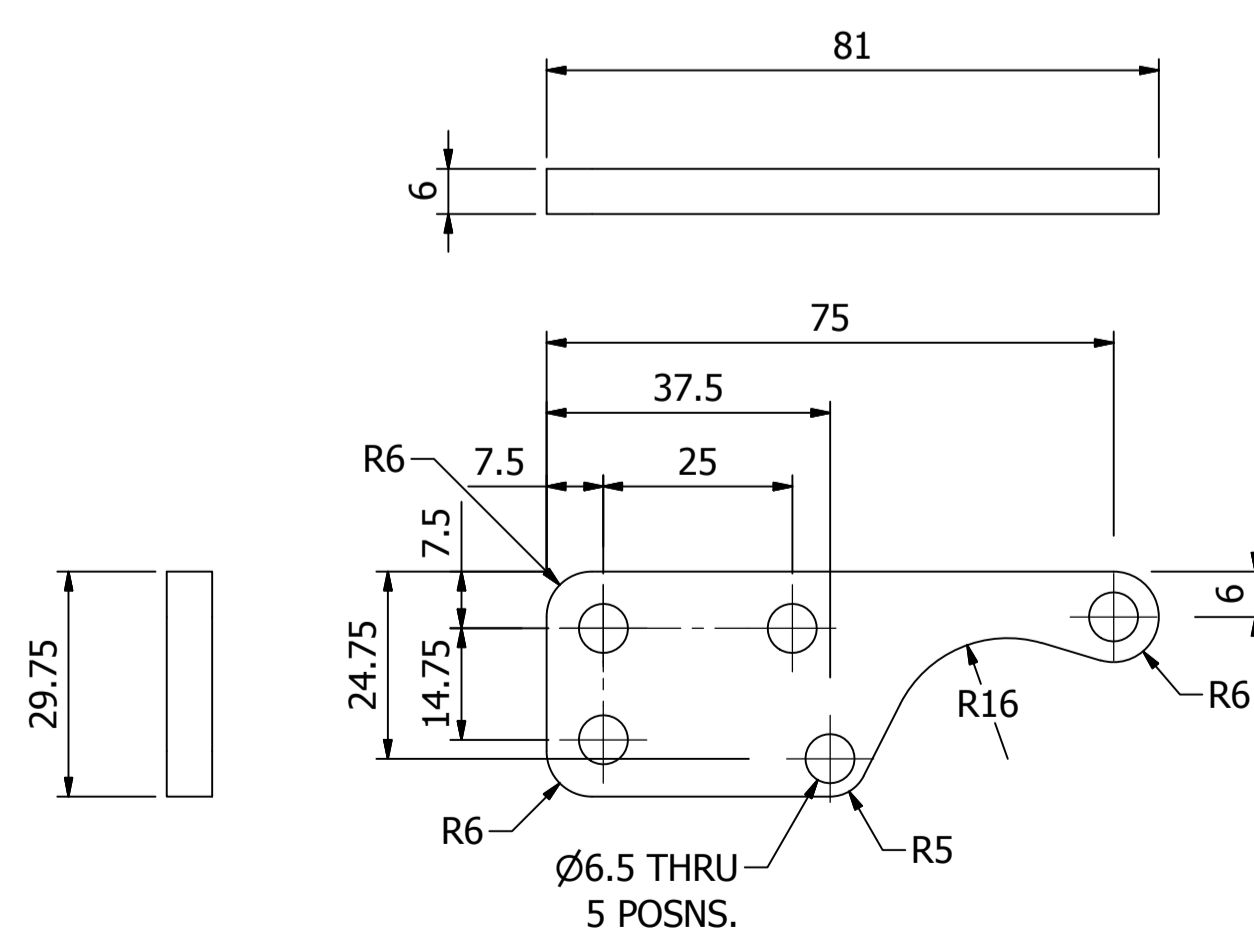
STEERING CROSSMEMBER ( 1 : 1 )  
FORM FROM 12x12x3 STEEL ANGLE  
AND 20x5 STEEL FLAT



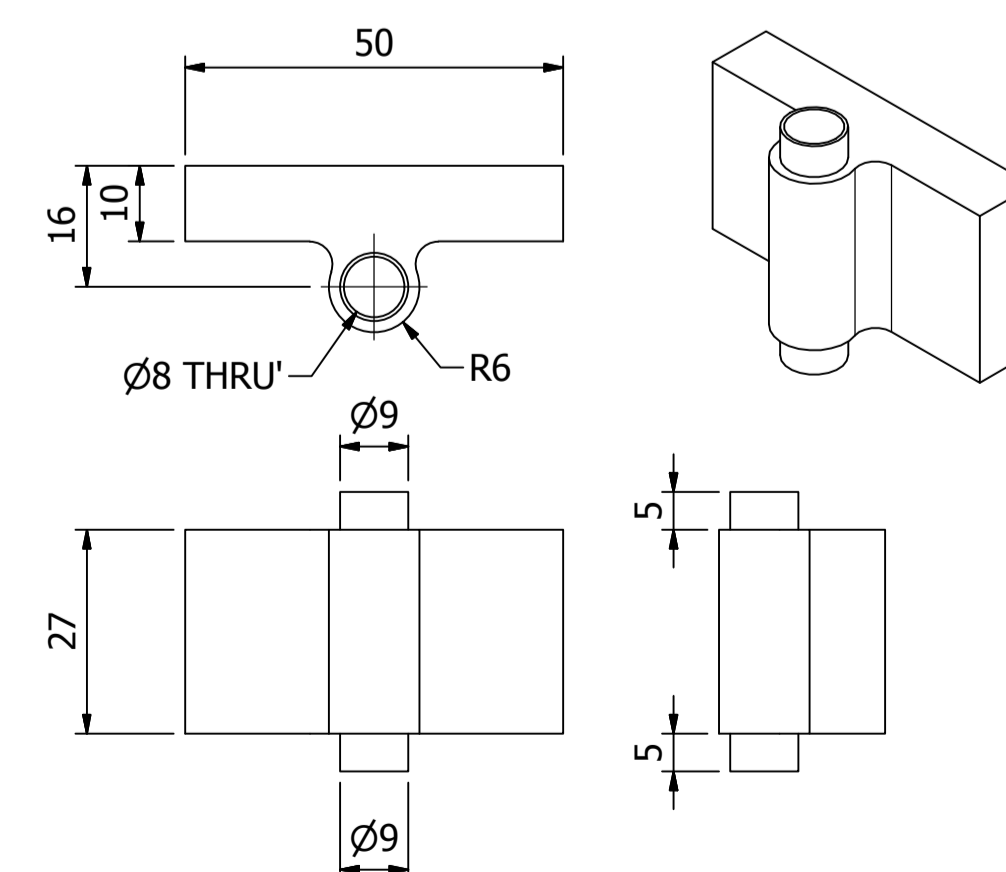
STEERING LINKAGE 1 ( 1 : 1 )  
MATERIAL : 15x15x2 SHS STEEL



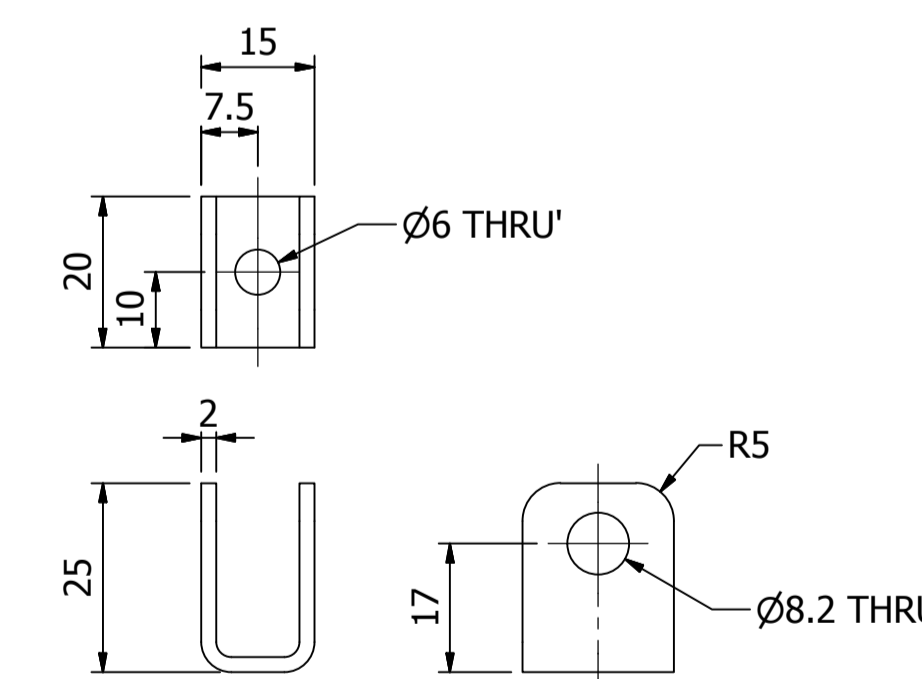
HUB ( 1 : 1 )  
MATERIAL : 5mm STEEL SHEET



BRAKE CALIPER MOUNTING BRACKET ( 1 : 1 )  
MATERIAL : 6mm STEEL



STEERING PLATE ( 1 : 1 )  
MATERIAL : STEEL



STEERING LINK BRACKET ( 1 : 1 )  
MATERIAL : 20x2mm STEEL FLAT

Drawn by Ian Kennard	Checked by	Scale	Date 14/11/2013
Humo Front Suspension Components 2			
Part no. HGA008	Revision 0	Sheet 8 / 8	